

# Technical data sheet

## Product features



### Freezing counter GN 1/1, 2 door, without splash back, stainless steel 230 V

<b>Model</b>	<b>SAP Code</b>	00021219
--------------	-----------------	----------



- Material: Stainless steel
- GN / EN size in device: GN 1/1
- Number of GN / EN: 2
- Number of doors: 2
- Control type: Digital
- Minimum device temperature [°C]: -18
- Maximum device temperature [°C]: -24
- Max ambient temperature [°C]: 43
- Insulation thickness [mm]: 70
- Unit: Right

<b>SAP Code</b>	00021219	<b>Energy class</b>	G
<b>Net Width [mm]</b>	1380	<b>Number of doors</b>	2
<b>Net Depth [mm]</b>	700	<b>Number of GN / EN</b>	2
<b>Net Height [mm]</b>	900	<b>GN / EN size in device</b>	GN 1/1
<b>Net Weight [kg]</b>	110.00	<b>Minimum device temperature [°C]</b>	-18
<b>Power electric [kW]</b>	0.400	<b>Maximum device temperature [°C]</b>	-24
<b>Loading</b>	230 V / 1N - 50 Hz	<b>Refrigerant</b>	R290

# Technical data sheet

Technical drawing

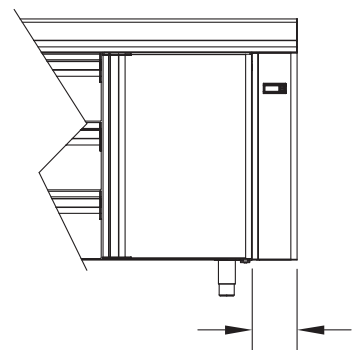
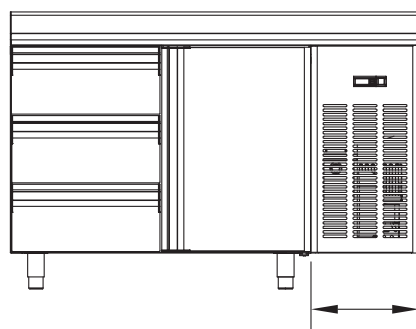
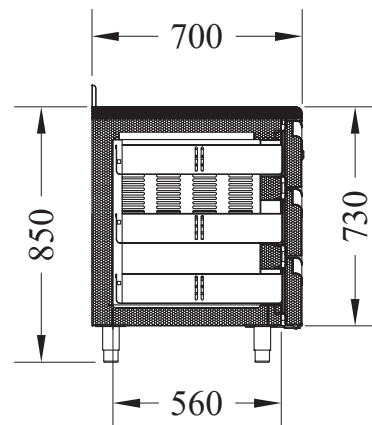
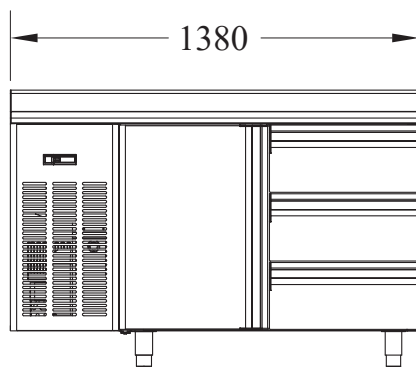
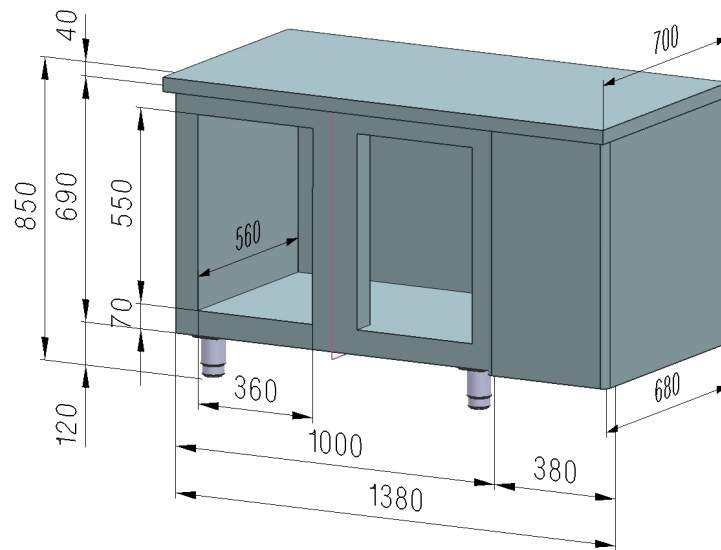


Freezing counter GN 1/1, 2 door, without splash back, stainless steel 230 V

Model

SAP Code

00021219



# Technical data sheet

Product benefits



Freezing counter GN 1/1, 2 door, without splash back, stainless steel 230 V

Model

SAP Code

00021219

1

## Climate class tropico

works up to 43 °C

- guaranteed operation even in a warm kitchen environment

2

## Insulation 60mm

minimal losses

- low energy consumption
- less environmental burden

# Technical data sheet

Technical parameters



Freezing counter GN 1/1, 2 door, without splash back, stainless steel 230 V

Model

SAP Code

00021219

**1. SAP Code:**

00021219

**2. Article group:**

Cooling and freezing tables

**3. Net Width [mm]:**

1380

**4. Net Depth [mm]:**

700

**5. Net Height [mm]:**

900

**6. Net Weight [kg]:**

110.00

**7. Gross Width [mm]:**

1450

**8. Gross depth [mm]:**

750

**9. Gross Height [mm]:**

950

**10. Gross Weight [kg]:**

140.00

**11. Device type:**

Electric unit

**12. Power electric [kW]:**

0.400

**13. Loading:**

230 V / 1N - 50 Hz

**14. Energy class:**

G

**15. Refrigerant:**

R290

**16. Material:**

Stainless steel

**17. Max ambient temperature [°C]:**

43

**18. Device properties 2:**

Freezing

**19. GN / EN size in device:**

GN 1/1

**20. Number of GN / EN:**

2

**21. Adjustable feet:**

Yes

**22. Pizza design:**

No

**23. Insulation thickness [mm]:**

70

**24. Number of doors:**

2

**25. Unit:**

Right

**26. Control type:**

Digital

**27. Minimum device temperature [°C]:**

-18

**28. Maximum device temperature [°C]:**

-24